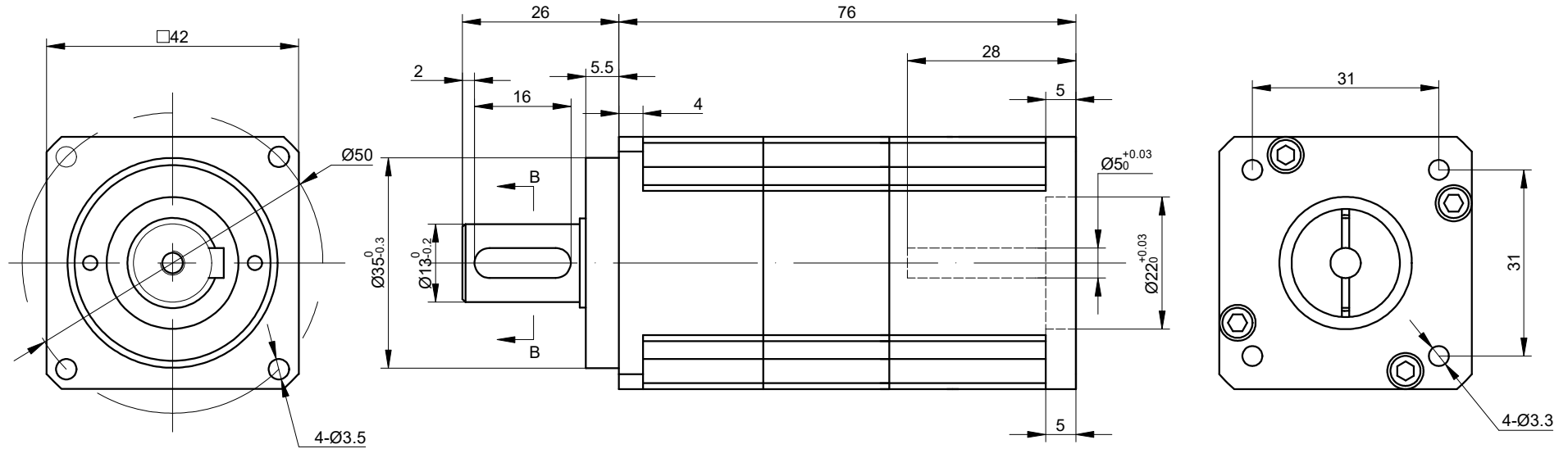
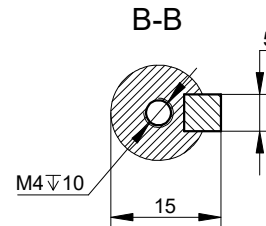


REV.	REVISION RECORD	BY	DATE
0	ORIGIN	LJ	4.15.2026



SPECIFICATION	CONNECTION	VALUE
GEAR RATIO		50
EFFICIENCY		94%
BACKLASH@NO-LOAD(arcmin)		<=5
MAX.PERMISSIBLE TORQUE(Nm)[lb-in]		15.00[132.76]
MOMENT PERMISSIBLE TORQUE(Nm)[lb-in]		30.00[265.52]
SHAFT MAXIMUM AXIAL LOAD(N)		135
SHAFT MAXIMUM RADIAL LOAD(N)		165
GEARBOX MATCHING MOTOR'S INPUT SHAFT LENGTH (mm)		14~28
RATED INPUT SPEED(RPM)		3000
MAX. INPUT SPEED(RPM)		6000
NOISE(dB)		<=58
WATERPROOF RATING		IP65
LIFE(h)		20000
WORKING TEMPERATURE		-20°C~90°C[-4°F~194°F]



DIMENSIONS ARE IN MILLIMETERS.
 TOLERANCES AS BELOW:
 DECIMALS ANGLES
 X ±0.5 ±2°
 X.X ±0.25
 X.XX ±0.13

THIRD ANGLE PROJECTION		
SIGNATURE		DATE
DRN	LJ	4.15.2026
APVD	MYX	4.15.2026

STEPPERONLINE®

HELICAL PLANETARY GEARBOX

HEG17-G50

REV.	0	SCALE	2:3	DWG NO.	A4745
------	---	-------	-----	---------	-------