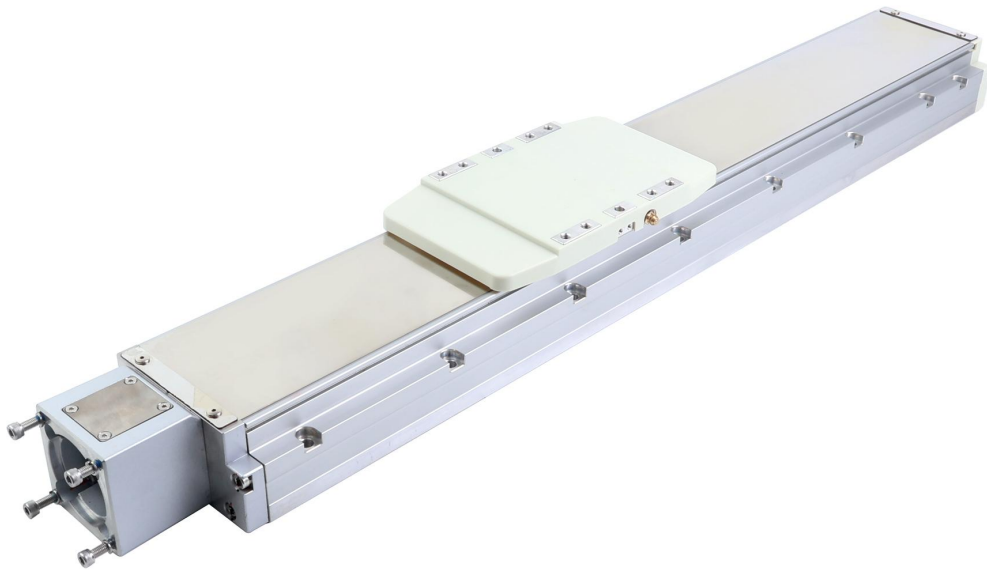


STEPPERONLINE®

User Manual

LG12 Series Linear Actuators



©2025 All Rights Reserved

Address: 15-4, #799 Hushan Road, Jiangning, Nanjing, China

Tel: 0086-2587156578

Web: www.omc-stepperonline.com

Sales: sales@stepperonline.com

Support: technical@stepperonline.com

LG12 Series

Model Explanation

LG12 - 24 D L10 (S) 3 - 500

Stroke Length:500mm

No. of Sensors

Motor installation standard (no letter means stepper motor)

S: Standard servo

P: Panasonic servo

Lead:10mm

Motor Mounting Position:

D:Direct Connect

B:Under Fold

L:Left Fold

R:Right Fold

Motor Mounting Flange:

24:Nema 24 Stepper

60:60mm Servo

Series

Specifications

Nema 24 Stepper drive:

Position accuracy (mm)		0.01			
Ball screw lead (mm)		5	10	20	32
Maximum speed (mm/s)		83	166	333	533
Maximum payload (kg)	Horizontal	110	88	40	30
	Vertical	33	22	10	8
Rated thrust (N)		1335	667	334	209

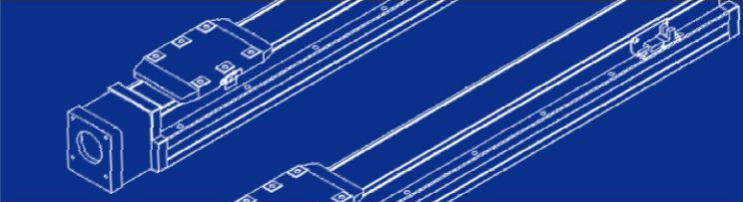
Note: We recommend setting the motor acceleration and deceleration time to 0.4 seconds.

(400W)60mm Servo drive:

Position accuracy (mm)		0.01			
Ball screw lead (mm)		5	10	20	32
Maximum speed (mm/s)		250	500	1000	1600
Maximum payload (kg)	Horizontal	110	88	40	30
	Vertical	33	22	10	8
Rated thrust (N)		1388	694	347	218

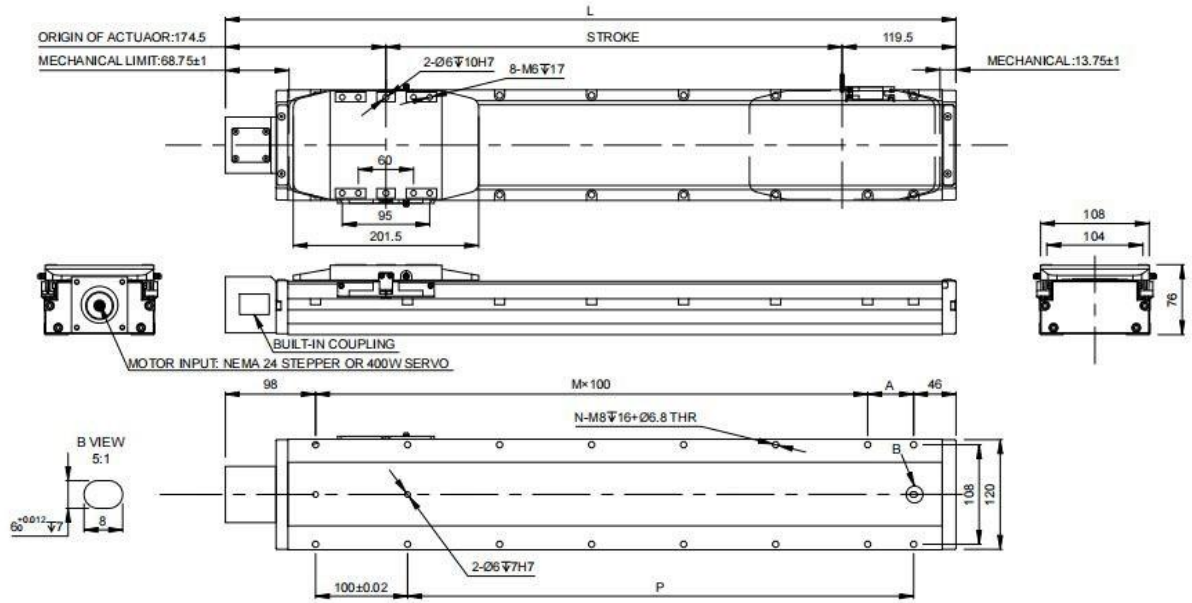
Note:

1. When the stroke is over 750mm, the run-out of the ballscrew will occur. We recommend to low down the working speed under this circumstances.
2. We recommend setting the motor acceleration and deceleration time to 0.2 seconds.



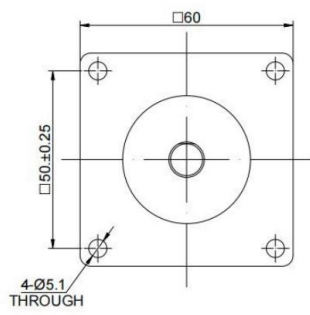
Size Details

1.D: Direct Connect

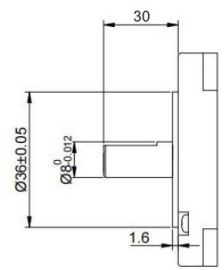


Stroke	50	100	150	200	250	300	350	400	450	500	550	600	650	700	750	800	850	900	950	1000	1050	1100	1150	1200	1250
L	344	394	444	494	544	594	644	694	744	794	844	894	944	994	1044	1094	1144	1194	1244	1294	1344	1394	1444	1494	1544
A	100	50	100	50	100	50	100	50	100	50	100	50	100	50	100	50	100	50	100	50	100	50	100	50	100
M	1	2	2	3	3	4	4	5	5	6	6	7	7	8	8	9	9	10	10	11	11	12	12	13	13
N	6	8	8	10	10	12	12	14	14	16	16	18	18	20	20	22	22	24	24	26	26	28	28	30	30
P	100	150	200	250	300	350	400	450	500	550	600	650	700	750	800	850	900	950	1000	1050	1100	1150	1200	1250	1300
KG	5.05	5.40	5.75	6.10	6.45	6.80	7.15	7.50	7.85	8.20	8.55	8.90	9.25	9.60	9.95	10.30	10.65	11.00	11.35	11.70	12.05	12.40	12.75	13.1	13.45

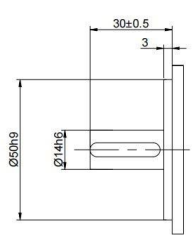
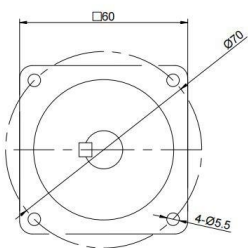
Reference motor size:

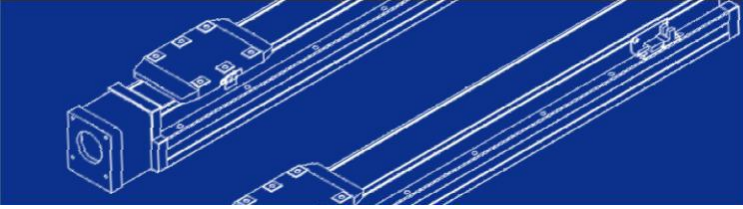


NEMA 24

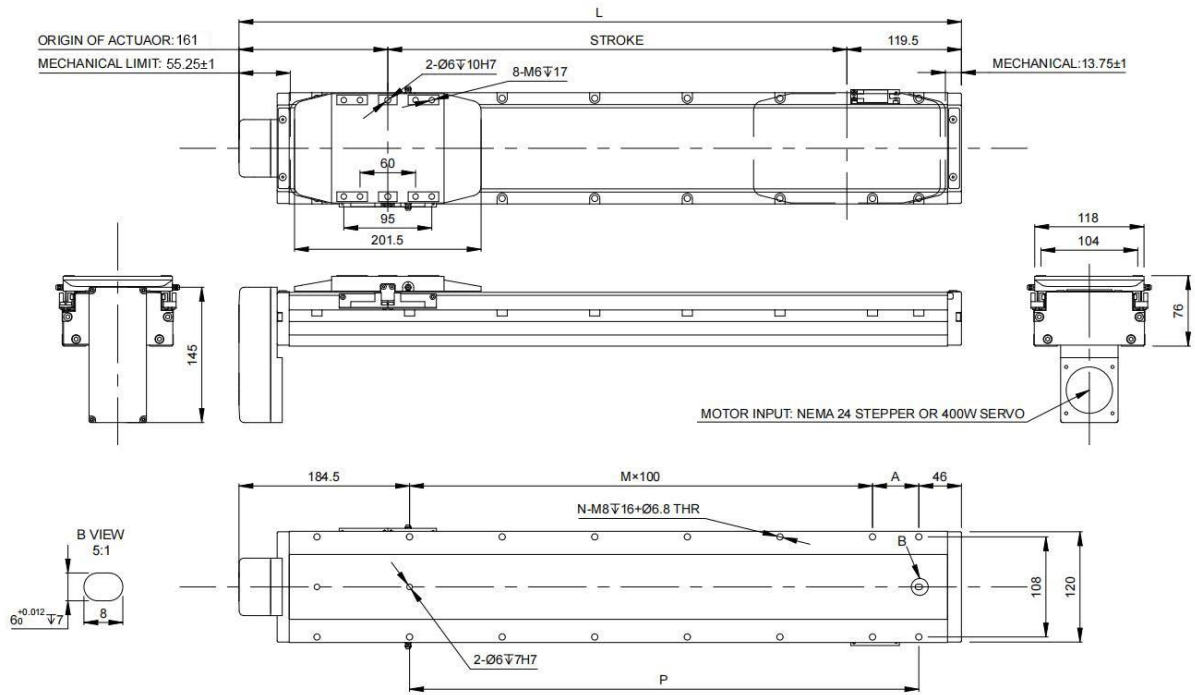


(400W)60mm Servo



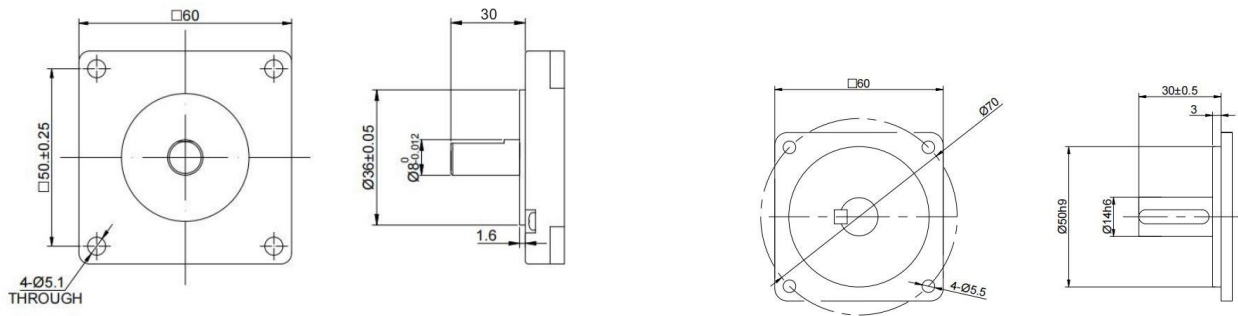


2.B: Under Fold



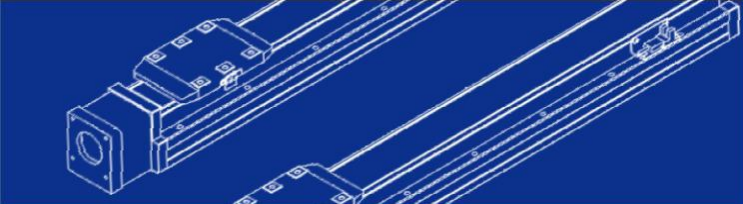
Stroke	50	100	150	200	250	300	350	400	450	500	550	600	650	700	750	800	850	900	950	1000	1050	1100	1150	1200	1250
L	330.5	380.5	430.5	480.5	530.5	580.5	630.5	680.5	730.5	780.5	830.5	880.5	930.5	980.5	1030.5	1080.5	1130.5	1180.5	1230.5	1280.5	1330.5	1380.5	1430.5	1480.5	1530.5
A	100	50	100	50	100	50	100	50	100	50	100	50	100	50	100	50	100	50	100	50	100	50	100	50	100
M	0	1	1	2	2	3	3	4	4	5	5	6	6	7	7	8	8	9	9	10	10	11	11	12	12
N	4	6	6	8	8	10	10	12	12	14	14	16	16	18	18	20	20	22	22	24	24	26	26	28	28
P	100	150	200	250	300	350	400	450	500	550	600	650	700	750	800	850	900	950	1000	1050	1100	1150	1200	1250	1300
KG	5.21	5.56	5.91	6.26	6.61	6.96	7.31	7.66	8.01	8.36	8.71	9.06	9.41	9.76	10.11	10.46	10.81	11.16	11.51	11.86	12.21	12.56	12.91	13.26	13.61

Reference motor size:

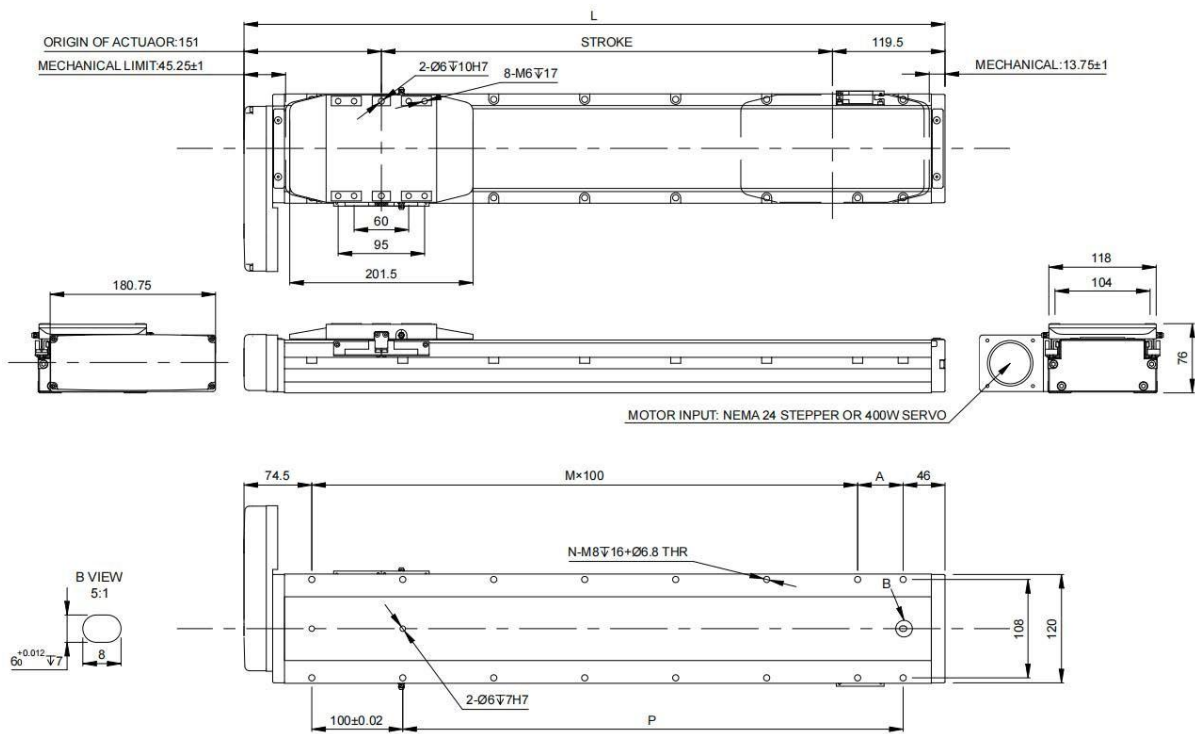


NEMA 24

(400W) 60mm Servo

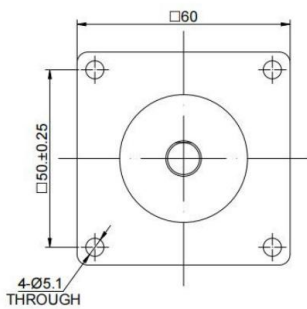


3.L: Left Fold

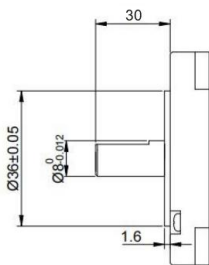


Stroke	50	100	150	200	250	300	350	400	450	500	550	600	650	700	750	800	850	900	950	1000	1050	1100	1150	1200	1250
L	320.5	370.5	420.5	470.5	520.5	570.5	620.5	670.5	720.5	770.5	820.5	870.5	920.5	970.5	1020.5	1070.5	1120.5	1170.5	1220.5	1270.5	1320.5	1370.5	1420.5	1470.5	1520.5
A	100	50	100	50	100	50	100	50	100	50	100	50	100	50	100	50	100	50	100	50	100	50	100	50	100
M	1	2	2	3	3	4	4	5	5	6	6	7	7	8	8	9	9	10	10	11	11	12	12	13	13
N	6	8	8	10	10	12	12	14	14	16	16	18	18	20	20	22	22	24	24	26	26	28	28	30	30
P	100	150	200	250	300	350	400	450	500	550	600	650	700	750	800	850	900	950	1000	1050	1100	1150	1200	1250	1300
KG	5.25	5.60	5.95	6.30	6.65	7.00	7.35	7.70	8.05	8.40	8.75	9.10	9.45	9.80	10.15	10.85	11.20	11.55	11.90	12.25	12.60	12.91	13.26	13.61	

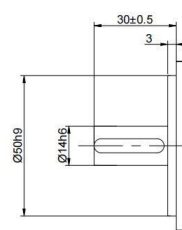
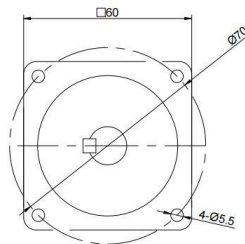
Reference motor size:

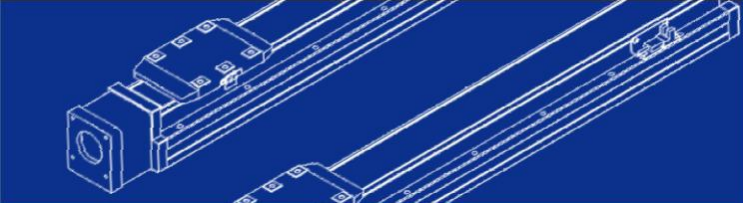


NEMA 24

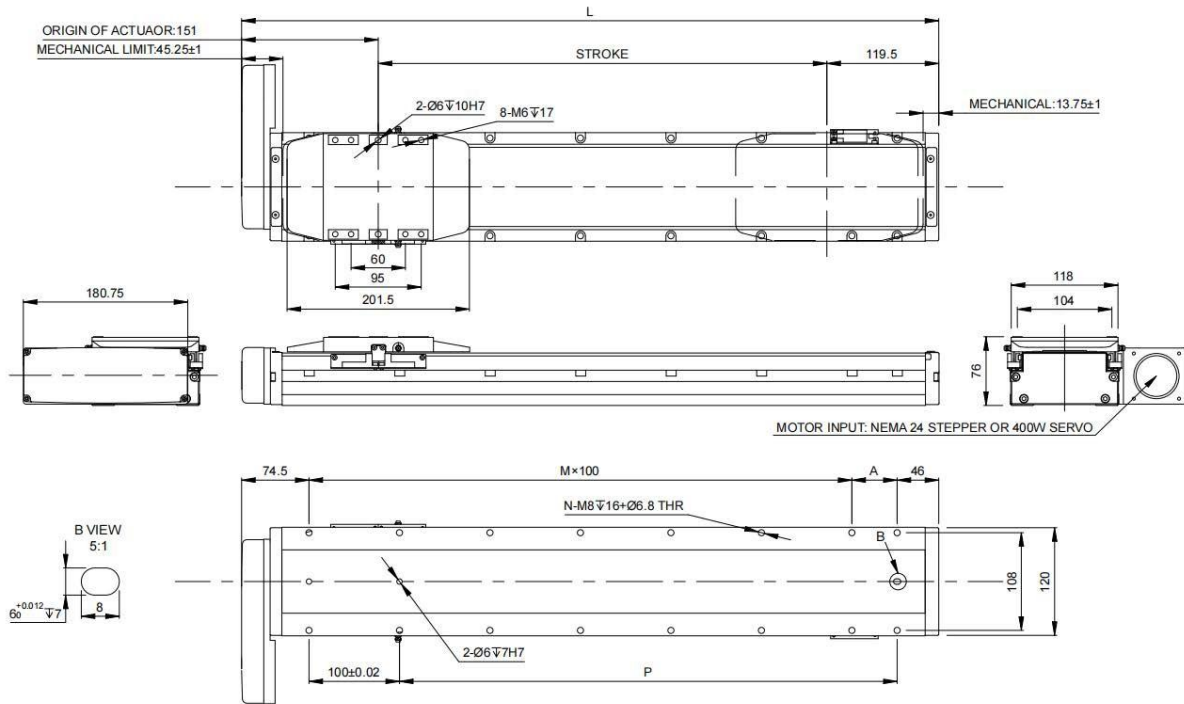


(400W)60mm Servo



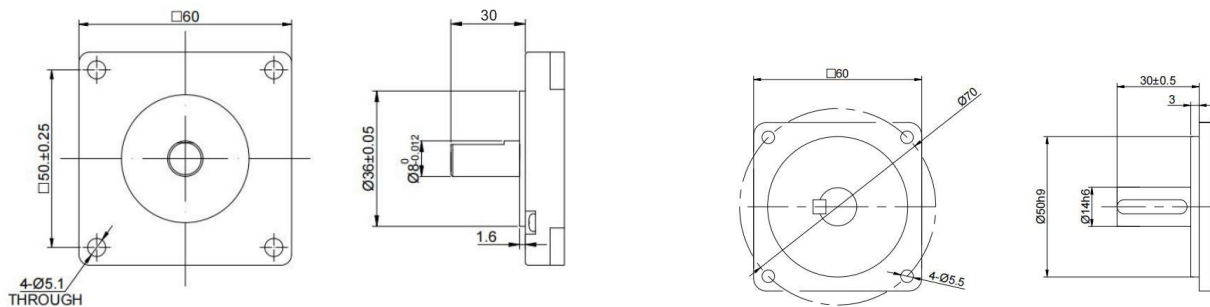


4. R: Right Fold



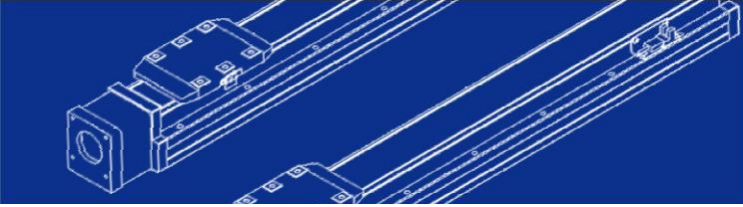
Stroke	50	100	150	200	250	300	350	400	450	500	550	600	650	700	750	800	850	900	950	1000	1050	1100	1150	1200	1250
L	320.5	370.5	420.5	470.5	520.5	570.5	620.5	670.5	720.5	770.5	820.5	870.5	920.5	970.5	1020.5	1070.5	1120.5	1170.5	1220.5	1270.5	1320.5	1370.5	1420.5	1470.5	1520.5
A	100	50	100	50	100	50	100	50	100	50	100	50	100	50	100	50	100	50	100	50	100	50	100	50	100
M	1	2	2	3	3	4	4	5	5	6	6	7	7	8	8	9	9	10	10	11	11	12	12	13	13
N	6	8	8	10	10	12	12	14	14	16	16	18	18	20	20	22	22	24	24	26	26	28	28	30	30
P	100	150	200	250	300	350	400	450	500	550	600	650	700	750	800	850	900	950	1000	1050	1100	1150	1200	1250	1300
KG	5.25	5.60	5.95	6.30	6.65	7.00	7.35	7.70	8.05	8.40	8.75	9.10	9.45	9.80	10.15	10.85	11.20	11.55	11.90	12.25	12.60	12.91	13.26	13.61	

Reference motor size:

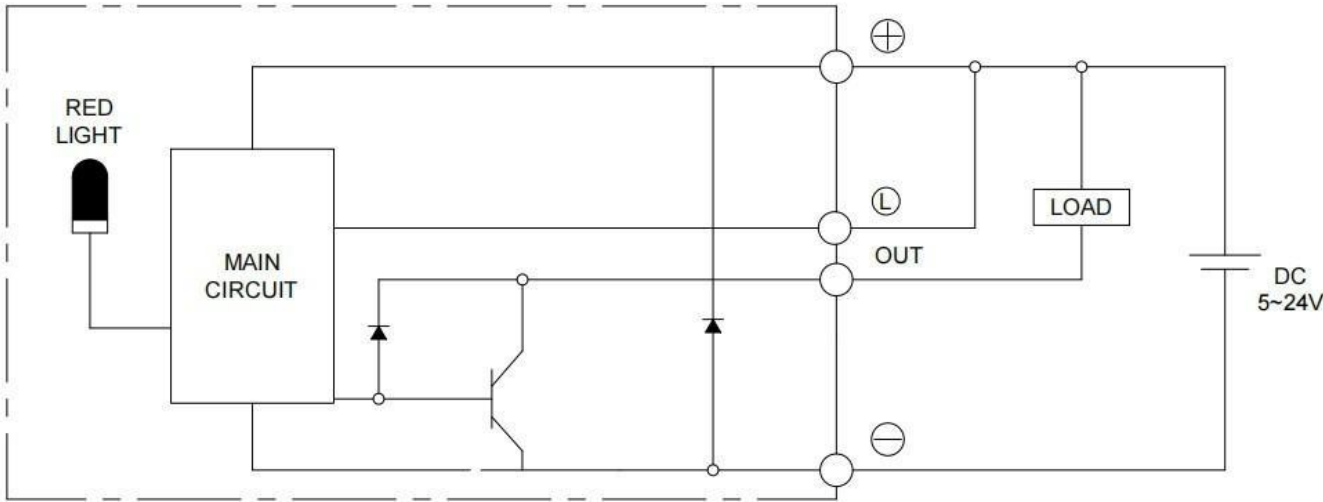


NEMA 24

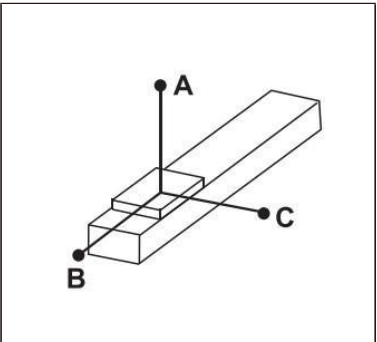
(400W)60mm Servo



Sensor Wiring

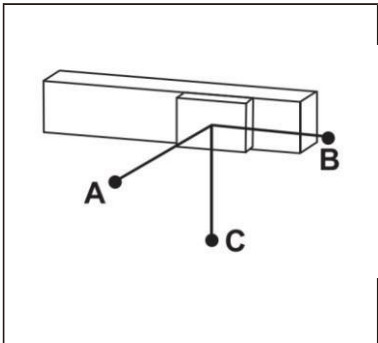


Horizontal installation



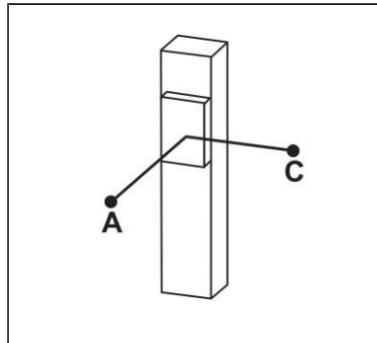
		A	B	C
Lead 5	60KG	2850	250	340
	80KG	2100	180	250
	110KG	1500	120	170
Lead 10	30KG	2850	490	600
	50KG	1700	280	350
	88KG	950	140	190
Lead 20	10KG	3400	1250	1400
	22KG	1650	550	620
	40KG	900	290	330
Lead 32	15KG	1100	570	550
	25KG	620	330	320
	30KG	520	270	260

Wall installation



		A	B	C
Lead 5	55KG	280	280	3300
	75KG	200	195	2400
	110KG	130	125	1550
Lead 10	35KG	400	410	2500
	55KG	245	250	1550
	88KG	150	150	950
Lead 20	12KG	900	1070	3000
	20KG	550	630	1800
	40KG	260	300	900
Lead 32	15KG	440	570	1050
	30KG	210	270	520
	-	-	-	-

Vertical installation



		A	C
Lead 5	15KG	1200	1200
	22KG	820	820
	33KG	550	550
Lead 10	10KG	1600	1600
	14KG	1150	1150
	22KG	730	730
Lead 20	7KG	1800	1800
	10KG	1250	1250
	-	-	-
Lead 32	5KG	1600	1600
	8KG	1000	1000
	-	-	-

(Unit: mm)

The torque value in the chart indicate the center of gravity;
 Operation life is 10,000km when the product is using under the specified conditions.